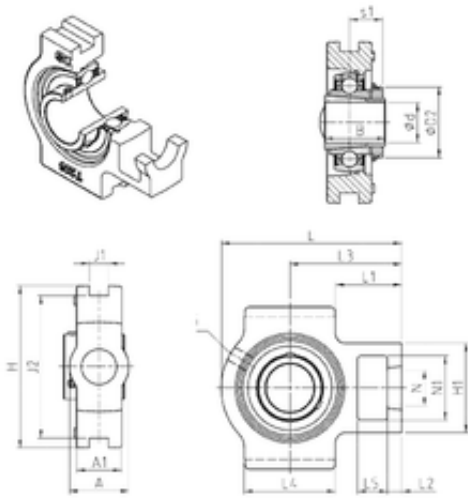




# Bearing equipment manufacturing Co., Ltd



## SNR UKT326H bearing units

Bearing No. UKT326H

Bore Diameter	115 mm
d	115 mm
L4	240 mm
L5	65 mm
L2	47 mm
L3	285 mm
s1	69 mm
A	150 mm
A1	100 mm
B	121 mm
D1	176,1 mm
D2	165 mm
H	385 mm
H1	220 mm
L	465 mm
L1	165 mm
N	75 mm
N1	150 mm
Thread (G)	M10x1
J1	50 mm
J2	350 mm
Weight	72,7 Kg
Basic dynamic load rating (C)	252 kN
A2	100 mm
A5	68 mm
B1	121 mm

UKT326H Bearing 2D drawings and 3D CAD models



## Bearing equipment manufacturing Co., Ltd

d1	165 mm
G	M10x1
H2	220 mm
N2	150 mm
C	252 kN
C0	242 kN
T min.	-20 ° C
T max.	100 ° C
Adapter sleeve reference	H2326
Designation of housing	T326-
Designation of bearing	UK326G2H