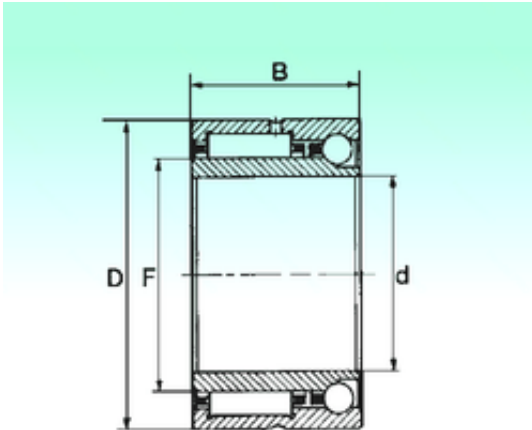




Bearing equipment manufacturing Co., Ltd



17 mm x 30 mm x 18 mm NBS NKIA 5903
complex bearings

Bearing No. NKIA 5903

Size	17x30x18 mm
Bore Diameter	17 mm
Outer Diameter	30 mm
Width	18 mm
d	17 mm
F	22 mm
D	30 mm
B	18 mm
C	18 mm
Weight	0,056 Kg
Dynamic load rating radial (C)	10,45 kN
Dynamic load rating axial (C)	2,375 kN
Static load rating radial (C0)	13,87 kN
Static load rating axial (C0)	3,04 kN

NKIA 5903 Bearing 2D drawings and 3D CAD models