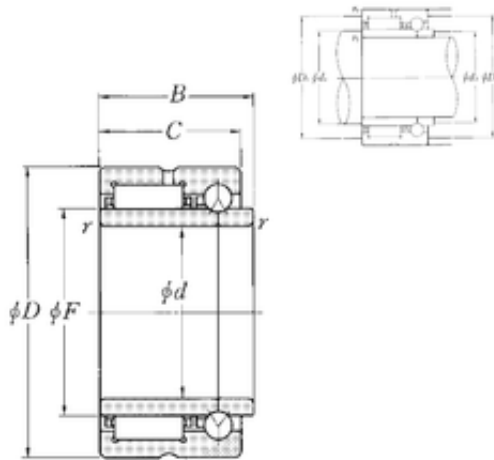




Bearing equipment manufacturing Co., Ltd

35 mm x 55 mm x 30 mm NTN NKIB5907R complex bearings



Bearing No. NKIB5907R

Size	35x55x30 mm
Bore Diameter	35 mm
Outer Diameter	55 mm
Width	30 mm
d	35 mm
F	42 mm
D	55 mm
B	30 mm
C	27 mm
r min.	0,6 mm
da min.	40 mm
Da max.	50 mm
ra max.	0,6 mm
Weight	0,247 Kg
Dynamic load rating radial (C)	32 kN
Dynamic load rating axial (C)	7,05 kN
Static load rating radial (C0)	50 kN
Static load rating axial (C0)	14,9 kN
(Grease) Lubrication Speed	6500 r/min

NKIB5907R Bearing 2D drawings and 3D CAD models