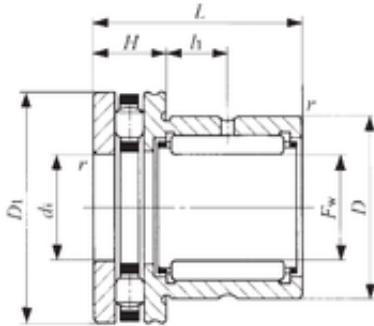




Bearing equipment manufacturing Co., Ltd

IKO NBX 2030 complex bearings



Bearing No. NBX 2030

Bore Diameter	20 mm
Outer Diameter	30 mm
Fw	20 mm
D	30 mm
D1	35 mm
d1	20 mm
r min.	0,3 mm
H	10 mm
L	30 mm
L1	10,5 mm
da min.	33 mm
Weight	0,094 Kg
Dynamic load rating radial (C)	17,6 kN
Dynamic load rating axial (C)	19 kN
Static load rating radial (C0)	25,4 kN
Static load rating axial (C0)	48,7 kN

NBX 2030 Bearing 2D drawings and 3D CAD models