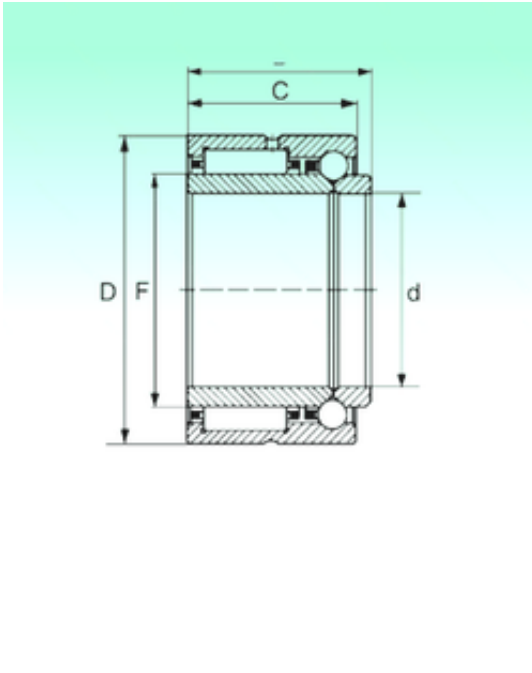




## Bearing equipment manufacturing Co., Ltd



NKIB 5910 Bearing 2D drawings and 3D CAD models

50 mm x 72 mm x 34 mm NBS NKIB 5910  
complex bearings

Bearing No. NKIB 5910

Size	50x72x34 mm
Bore Diameter	50 mm
Outer Diameter	72 mm
Width	34 mm
d	50 mm
F	58 mm
D	72 mm
B	34 mm
C	30 mm
Weight	0,385 Kg
Dynamic load rating radial (C)	44,65 kN
Dynamic load rating axial (C)	7,695 kN
Static load rating radial (C0)	76 kN
Static load rating axial (C0)	15,105 kN