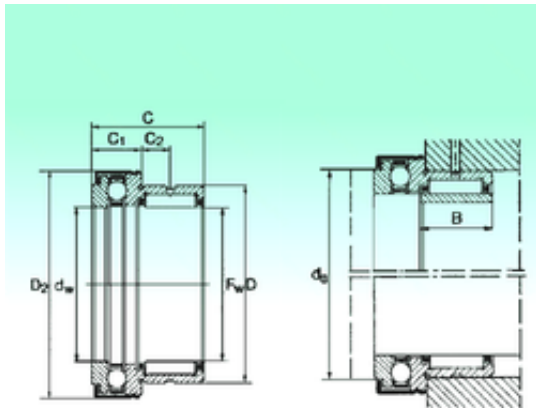




Bearing equipment manufacturing Co., Ltd



NKX 30 Z Bearing 2D drawings and 3D CAD models

NBS NKX 30 Z complex bearings

Bearing No. NKX 30 Z

Size	30x42x30 mm
Bore Diameter	30 mm
Outer Diameter	42 mm
Width	30 mm
d	30 mm
Fw	30 mm
D	42 mm
C	30 mm
C1	11 mm
D1	47,1 mm
D2	48,2 mm
C2	9,5 mm
da	42,7 mm
Weight	0,148 Kg
Dynamic load rating radial (C)	21 kN
Dynamic load rating axial (C)	19 kN
Static load rating radial (C0)	34 kN
Static load rating axial (C0)	39,5 kN