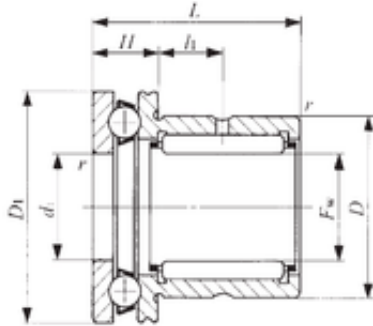




# Bearing equipment manufacturing Co., Ltd

## IKO NAX 1725Z complex bearings



NAX 1725Z Bearing 2D drawings and 3D CAD models

Bearing No. NAX 1725Z

Bore Diameter	17 mm
Outer Diameter	26 mm
Fw	17 mm
D	26 mm
D1	30 mm
D2	31 mm
d1	17 mm
r min.	0,3 mm
H	9 mm
L	25 mm
L1	8 mm
da min.	25 mm
Weight	0,056 Kg
Dynamic load rating radial (C)	12,9 kN
Dynamic load rating axial (C)	10,8 kN
Static load rating radial (C0)	16,3 kN
Static load rating axial (C0)	14,5 kN