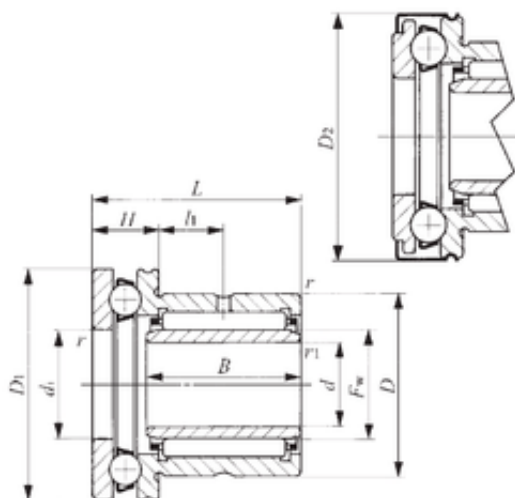




Bearing equipment manufacturing Co., Ltd



60 mm x 85 mm x 25,5 mm IKO NAXI 6040Z
complex bearings

Bearing No. NAXI 6040Z

Bore Diameter	60 mm
Outer Diameter	85 mm
d	60 mm
Fw	70 mm
D	85 mm
D1	95 mm
D2	96,5 mm
B	25,5 mm
d1	70 mm
r min.	1 mm
r1 min.	1 mm
H	18 mm
L	40 mm
L1	11 mm
da min.	85 mm
db	68 mm
Weight	0,801 Kg
Dynamic load rating radial (C)	55,5 kN
Dynamic load rating axial (C)	43,1 kN
Static load rating radial (C0)	120 kN
Static load rating axial (C0)	101 kN
Category	Bearings
Inventory	0.0
Manufacturer Name	IKO

NAXI 6040Z Bearing 2D drawings and 3D CAD models



Bearing equipment manufacturing Co., Ltd

Minimum Buy Quantity	N/A
Weight / Kilogram	0
Product Group	B04144