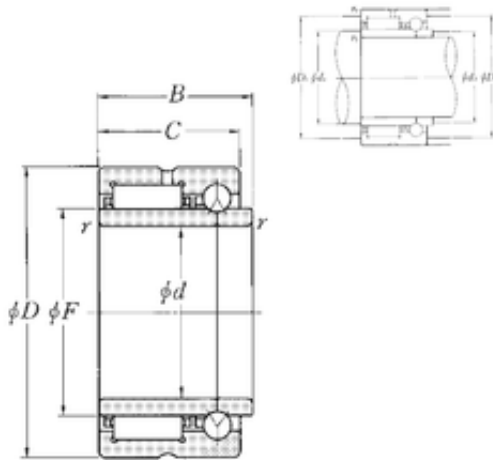




Bearing equipment manufacturing Co., Ltd

70 mm x 100 mm x 45 mm NTN NKIB5914R
complex bearings



Bearing No. NKIB5914R

Size	70x100x45 mm
Bore Diameter	70 mm
Outer Diameter	100 mm
Width	45 mm
d	70 mm
F	80 mm
D	100 mm
B	45 mm
C	40 mm
r min.	1 mm
da min.	76 mm
Da max.	94 mm
ra max.	1 mm
Weight	0,985 Kg
Dynamic load rating radial (C)	85,5 kN
Dynamic load rating axial (C)	15,9 kN
Static load rating radial (C0)	156 kN
Static load rating axial (C0)	44,5 kN
(Grease) Lubrication Speed	3300 r/min

NKIB5914R Bearing 2D drawings and 3D CAD models