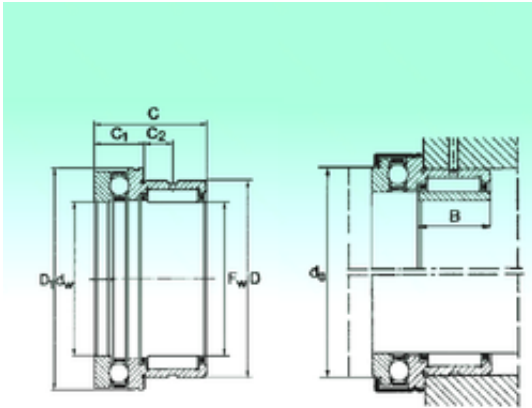




# Bearing equipment manufacturing Co., Ltd



NKX 60 Bearing 2D drawings and 3D CAD models

## NBS NKX 60 complex bearings

Bearing No. NKX 60

Size	60x72x40 mm
Bore Diameter	60 mm
Outer Diameter	72 mm
Width	40 mm
d	60 mm
Fw	60 mm
D	72 mm
C	40 mm
C1	17 mm
D1	85,2 mm
D2	86,5 mm
C2	12 mm
da	80,5 mm
Weight	0,36 Kg
Dynamic load rating radial (C)	41 kN
Dynamic load rating axial (C)	40 kN
Static load rating radial (C0)	88 kN
Static load rating axial (C0)	110 kN