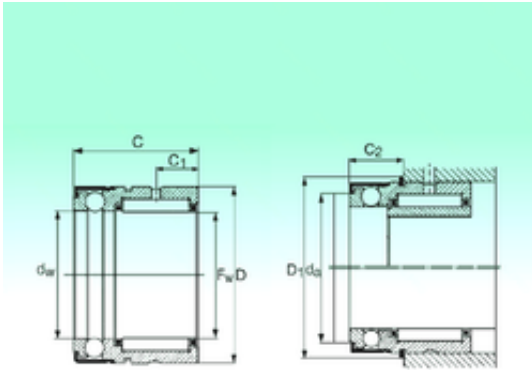




Bearing equipment manufacturing Co., Ltd



NX 30 Z Bearing 2D drawings and 3D CAD models

NBS NX 30 Z complex bearings

Bearing No. NX 30 Z

Size	30x42x30 mm
Bore Diameter	30 mm
Outer Diameter	42 mm
Width	30 mm
d	30 mm
Fw	0,13 mm
D	42 mm
C	30 mm
C1	10 mm
D1	45,1 mm
C2	14,2 mm
da	36,5 mm
Dynamic load rating radial (C)	21 kN
Dynamic load rating axial (C)	12 kN
Static load rating radial (C0)	34 kN
Static load rating axial (C0)	28 kN