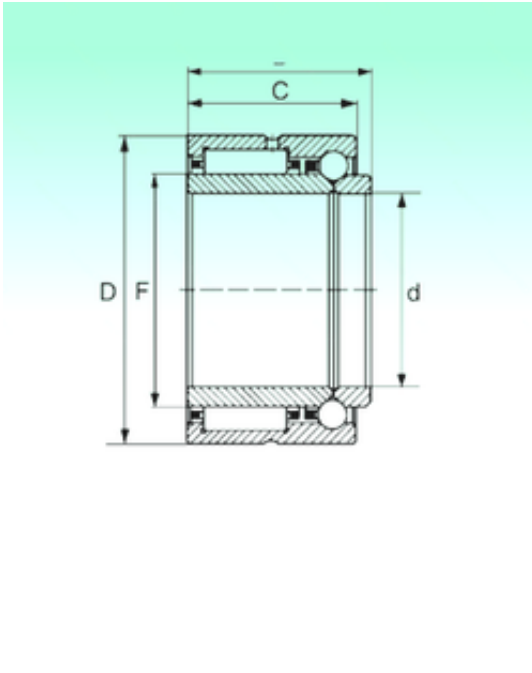




Bearing equipment manufacturing Co., Ltd



NKIB 5901 Bearing 2D drawings and 3D CAD models

12 mm x 24 mm x 17.5 mm NBS NKIB 5901
complex bearings

Bearing No. NKIB 5901

Size	12x24x17.5 mm
Bore Diameter	12 mm
Outer Diameter	24 mm
Width	17.5 mm
d	12 mm
F	16 mm
D	24 mm
B	17.5 mm
C	16 mm
Weight	0,043 Kg
Dynamic load rating radial (C)	7,2 kN
Dynamic load rating axial (C)	2,052 kN
Static load rating radial (C0)	7,9 kN
Static load rating axial (C0)	2,138 kN