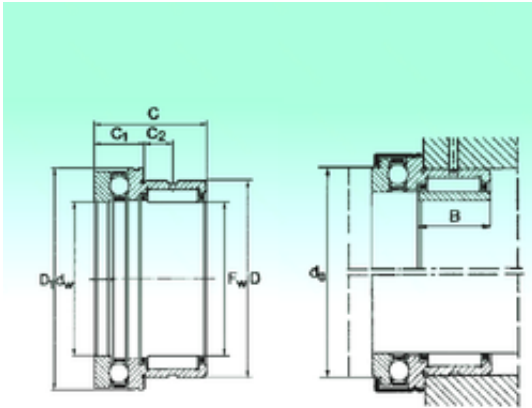




# Bearing equipment manufacturing Co., Ltd



NKS 17 Bearing 2D drawings and 3D CAD models

## NBS NKX 17 complex bearings

Bearing No. NKX 17

Size	17x26x25 mm
Bore Diameter	17 mm
Outer Diameter	26 mm
Width	25 mm
d	17 mm
Fw	17 mm
D	26 mm
C	25 mm
C1	9 mm
D1	30,1 mm
D2	31,2 mm
C2	8 mm
da	25,7 mm
Weight	0,053 Kg
Dynamic load rating radial (C)	11 kN
Dynamic load rating axial (C)	10,5 kN
Static load rating radial (C0)	14,5 kN
Static load rating axial (C0)	17,9 kN